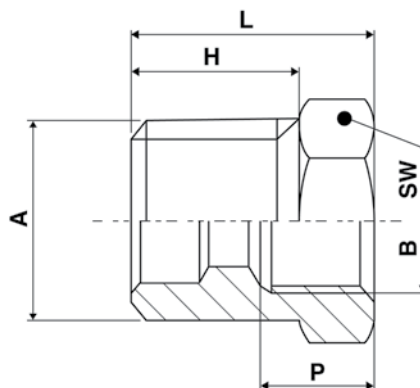


2530

RIDUZIONE CONICA



MAT : OT Nichelato



Codice	A	B	H	L	P	SW	Peso (g)
2530 1/4 1/8	R1/4	G1/8	11	16	6	14	9
2530 3/8 1/8	R3/8	G1/8	11.5	16.5	8.5	17	17
2530 1/2 1/8	R1/2	G1/8	14	19.5	9.5	22	12
2530 3/8 1/4	R3/8	G1/4	11.5	16.5	7	17	34
2530 1/2 1/4	R1/2	G1/4	14	19.5	9.5	22	30
2530 1/2 3/8	R1/2	G3/8	14	19.5	8	22	24
2530 3/4 3/8	R3/4	G3/8	16.5	23	11.5	27	67
2530 3/4 1/2	R3/4	G1/2	16.5	23.5	9.5	27	48
2530 1 1/2	R1	G1/2	19	27	14	34	131