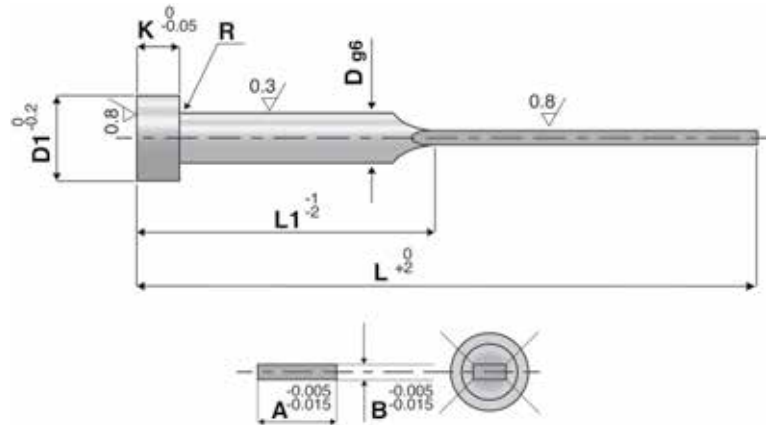


LN

ESPULSORE A TESTA CILINDRICA
LAMELLARE NITRURATO DIN 1530



MAT : DIN 1.2344
TESTA : 45 ± 5 HRC
CORPO : 950 Vickers



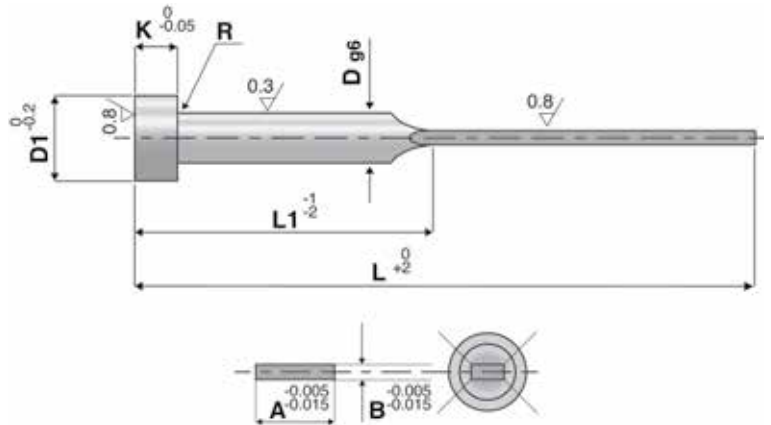
Codice	D	D1	A	B	L	L1	K
LN103.580	4.0	8.0	3.5	1.0	80	40	3
LN103.5100	4.0	8.0	3.5	1.0	100	50	3
LN103.5125	4.0	8.0	3.5	1.0	125	60	3
LN103.880	4.2	8.0	3.8	1.0	80	40	3
LN103.8100	4.2	8.0	3.8	1.0	100	50	3
LN103.8125	4.2	8.0	3.8	1.0	125	60	3
LN103.8160	4.2	8.0	3.8	1.0	160	80	3
LN1.203.880	4.2	8.0	3.8	1.2	80	40	3
LN1.203.8100	4.2	8.0	3.8	1.2	100	50	3
LN1.203.8125	4.2	8.0	3.8	1.2	125	60	3
LN1.203.8160	4.2	8.0	3.8	1.2	160	80	3
LN1.203.8200	4.2	8.0	3.8	1.2	200	100	3
LN104.580	5.0	10.0	4.5	1.0	80	40	3
LN104.5100	5.0	10.0	4.5	1.0	100	50	3
LN104.5125	5.0	10.0	4.5	1.0	125	60	3
LN104.5160	5.0	10.0	4.5	1.0	160	80	3
LN104.5200	5.0	10.0	4.5	1.0	200	100	3
LN1.204.580	5.0	10.0	4.5	1.2	80	40	3
LN1.204.5100	5.0	10.0	4.5	1.2	100	50	3
LN1.204.5125	5.0	10.0	4.5	1.2	125	60	3
LN1.204.5160	5.0	10.0	4.5	1.2	160	80	3
LN1.204.5200	5.0	10.0	4.5	1.2	200	100	3
LN105.580	6.0	12.0	5.5	1.0	80	40	5
LN105.5100	6.0	12.0	5.5	1.0	100	50	5
LN105.5125	6.0	12.0	5.5	1.0	125	60	5
LN105.5160	6.0	12.0	5.5	1.0	160	80	5
LN105.5200	6.0	12.0	5.5	1.0	200	100	5
LN1.205.580	6.0	12.0	5.5	1.2	80	40	5
LN1.205.5100	6.0	12.0	5.5	1.2	100	50	5
LN1.205.5125	6.0	12.0	5.5	1.2	125	60	5
LN1.205.5160	6.0	12.0	5.5	1.2	160	80	5
LN1.205.5200	6.0	12.0	5.5	1.2	200	100	5
LN1.505.5100	6.0	12.0	5.5	1.5	100	50	5
LN1.505.5125	6.0	12.0	5.5	1.5	125	60	5
LN1.505.5160	6.0	12.0	5.5	1.5	160	80	5
LN1.505.5200	6.0	12.0	5.5	1.5	200	100	5
LN205.5100	6.0	12.0	5.5	2.0	100	50	5

LN

ESPULSORE A TESTA CILINDRICA
LAMELLARE NITRURATO DIN 1530



MAT : DIN 1.2344
TESTA : 45 ± 5 HRC
CORPO : 950 Vikers



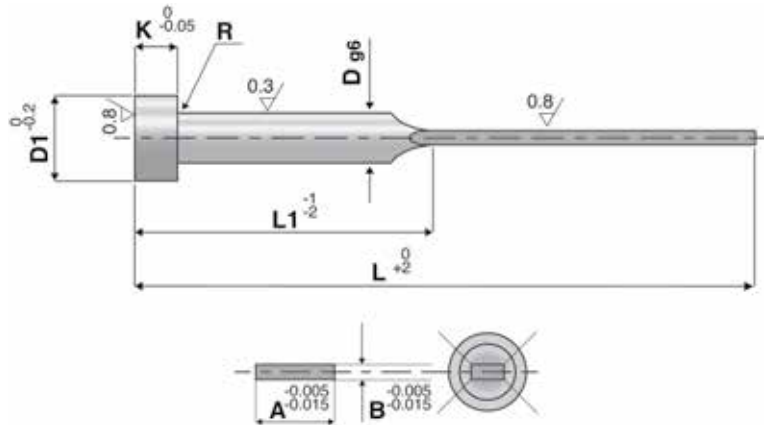
Codice	D	D1	A	B	L	L1	K
LN205.5125	6.0	12.0	5.5	2.0	125	60	5
LN205.5160	6.0	12.0	5.5	2.0	160	80	5
LN205.5200	6.0	12.0	5.5	2.0	200	100	5
LN1.207.5100	8.0	14.0	7.5	1.2	100	50	5
LN1.207.5125	8.0	14.0	7.5	1.2	125	60	5
LN1.207.5160	8.0	14.0	7.5	1.2	160	80	5
LN1.207.5200	8.0	14.0	7.5	1.2	200	100	5
LN1.507.5100	8.0	14.0	7.5	1.5	100	50	5
LN1.507.5125	8.0	14.0	7.5	1.5	125	60	5
LN1.507.5160	8.0	14.0	7.5	1.5	160	80	5
LN1.507.5200	8.0	14.0	7.5	1.5	200	100	5
LN1.507.5250	8.0	14.0	7.5	1.5	250	125	5
LN207.5100	8.0	14.0	7.5	2.0	100	50	5
LN207.5125	8.0	14.0	7.5	2.0	125	60	5
LN207.5160	8.0	14.0	7.5	2.0	160	80	5
LN207.5200	8.0	14.0	7.5	2.0	200	100	5
LN207.5250	8.0	14.0	7.5	2.0	250	125	5
LN207.5315	8.0	14.0	7.5	2.0	315	160	5
LN1.509.5100	10.0	16.0	9.5	1.5	100	50	5
LN1.509.5125	10.0	16.0	9.5	1.5	125	60	5
LN1.509.5160	10.0	16.0	9.5	1.5	160	80	5
LN1.509.5200	10.0	16.0	9.5	1.5	200	100	5
LN1.509.5250	10.0	16.0	9.5	1.5	250	125	5
LN1.509.5315	10.0	16.0	9.5	1.5	315	160	5
LN209.5100	10.0	16.0	9.5	2.0	100	50	5
LN209.5125	10.0	16.0	9.5	2.0	125	60	5
LN209.5160	10.0	16.0	9.5	2.0	160	80	5
LN209.5200	10.0	16.0	9.5	2.0	200	100	5
LN209.5250	10.0	16.0	9.5	2.0	250	125	5
LN209.5315	10.0	16.0	9.5	2.0	315	125	5
LN211.5160	12.0	18.0	11.5	2.0	160	80	7
LN211.5200	12.0	18.0	11.5	2.0	200	100	7
LN211.5250	12.0	18.0	11.5	2.0	250	125	7
LN211.5315	12.0	18.0	11.5	2.0	315	160	7
LN2.511.5160	12.0	18.0	11.5	2.5	160	80	7
LN2.511.5200	12.0	18.0	11.5	2.5	200	100	7
LN2.511.5250	12.0	18.0	11.5	2.5	250	125	7

LN

ESPULSORE A TESTA CILINDRICA
LAMELLARE NITRURATO DIN 1530



MAT : DIN 1.2344
TESTA : 45 ± 5 HRC
CORPO : 950 Vickers



Codice	D	D1	A	B	L	L1	K
LN2.511.5315	12.0	18.0	11.5	2.5	315	160	7
LN215.5160	16.0	22.0	15.5	2.0	160	80	7
LN215.5200	12.0	18.0	11.5	2.0	200	100	7
LN215.5250	12.0	18.0	11.5	2.0	250	125	7
LN215.5315	12.0	18.0	11.5	2.0	315	160	7
LN215.5400	12.0	18.0	11.5	2.0	400	200	7
LN2.515.5160	16.0	22.0	15.5	2.5	160	80	7
LN2.515.5200	12.0	18.0	11.5	2.5	200	100	7
LN2.515.5250	12.0	18.0	11.5	2.5	250	125	7
LN2.515.5315	12.0	18.0	11.5	2.5	315	160	7
LN2.515.5400	12.0	18.0	11.5	2.5	400	200	7