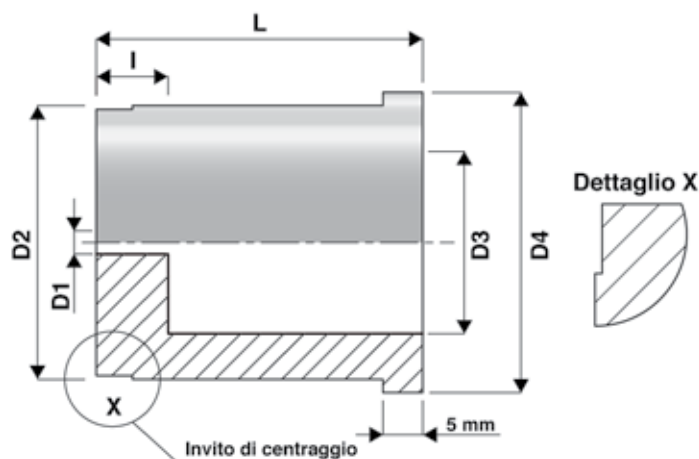


## MPB

MATRICE CON PREFORO FORMA B  
ISO 8977A



MAT : Acciaio super rapido  
DUREZZA : 62 ÷ 64 HRC



Codice	D1	D2 m5	D3	D4	l	L + 0 / 0.5
MPB0516	1	5	2.8	8	2	16
MPB0520	1	5	2.8	8	2	20
MPB0525	1	5	2.8	8	2	25
MPB0616	1	6	3.5	9	3	16
MPB0620	1	6	3.5	9	3	20
MPB0625	1	6	3.5	9	3	25
MPB0816	1	8	4	11	4	16
MPB0820	1	8	4	11	4	20
MPB0825	1	8	4	11	4	25
MPB0832	1	8	4	11	4	32
MPB1016	1	10	5.8	13	4	16
MPB1020	1	10	5.8	13	4	20
MPB1025	1	10	5.8	13	4	25
MPB1032	1	10	5.8	13	4	32
MPB1320	1.2	13	8	16	5	20
MPB1325	1.2	13	8	16	5	25
MPB1332	1.2	13	8	16	5	32
MPB1620	1.2	16	9.5	19	5	20
MPB1625	1.2	16	9.5	19	5	25
MPB1632	1.2	16	9.5	19	5	32
MPB2020	1.5	20	12	24	8	20
MPB2025	1.5	20	12	24	8	25
MPB2032	1.5	20	12	24	8	32
MPB2520	1.5	25	17.3	29	8	20
MPB2525	1.5	25	17.3	29	8	25
MPB2532	1.5	25	17.3	29	8	32
MPB3220	1.5	32	20.7	36	8	20
MPB3225	1.5	32	20.7	36	8	25
MPB3232	1.5	32	20.7	36	8	32
MPB4020	1.5	40	27.7	44	8	20
MPB4025	1.5	40	27.7	44	8	25
MPB4032	1.5	40	27.7	44	8	32