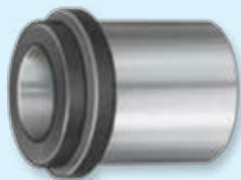


## TBEAC

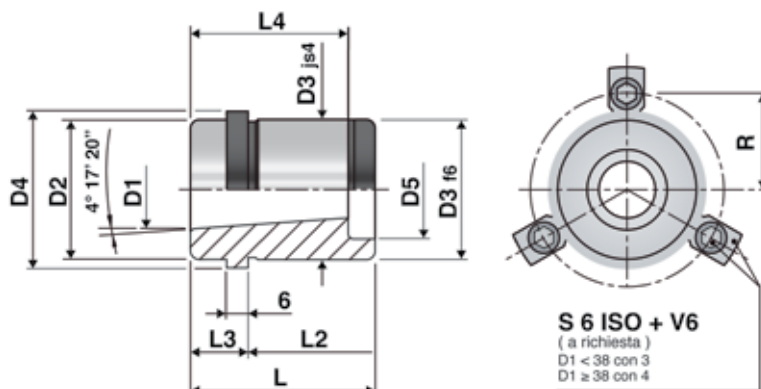
BUSSOLA CONICA DIN 9825



MAT : 1.7131

DUREZZA : 61 ÷ 63 HRC

S E R I E  
I S O



Codice	D1	L	D2	D3	D4	D5	R	L2	L3	L4
TBEAC024037	24	49	40	40	48	26	30	37	12	36
TBEAC024047	24	59	40	40	48	26	30	47	12	36
TBEAC025037	25	49	40	40	48	26	30	37	12	36
TBEAC025047	25	59	40	40	48	26	30	47	12	36
TBEAC030037	30	52	48	48	56	33	33.5	37	15	49
TBEAC030047	30	62	48	48	56	33	33.5	47	15	49
TBEAC032037	32	52	48	48	56	33	33.5	37	15	49
TBEAC032047	32	62	48	48	56	33	33.5	47	15	49
TBEAC038047	38	62	58	58	66	41	38.5	47	15	49
TBEAC038060	38	75	58	58	66	41	38.5	60	15	49
TBEAC040047	40	62	58	58	66	41	38.5	47	15	49
TBEAC040060	40	75	58	58	66	41	38.5	60	15	49
TBEAC048047	48	65	70	70	80	51	45.5	47	18	59
TBEAC048060	48	78	70	70	80	51	45.5	60	18	59
TBEAC050047	50	65	70	70	80	51	45.5	47	18	59
TBEAC050060	50	78	70	70	80	51	45.5	60	18	59
TBEAC060060	60	78	85	85	95	64	53	60	18	70
TBEAC060077	60	95	85	85	95	64	53	77	18	70
TBEAC063060	63	78	85	85	95	64	53	60	18	70
TBEAC063077	63	95	85	85	95	64	53	77	18	70