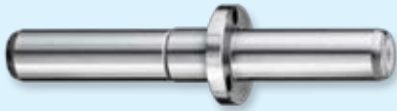


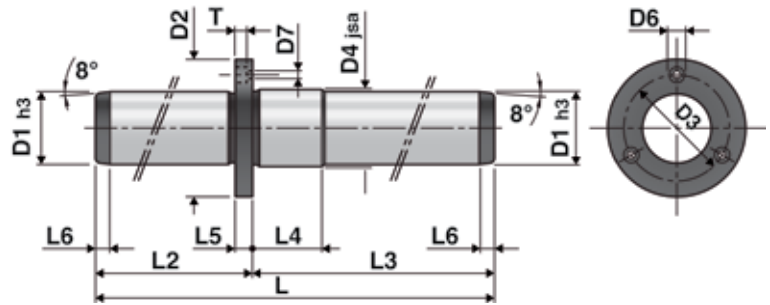
TCEAS

COLONNA CON FALANGIA



SERIE ISO

MAT : 1.7131
DUREZZA : 61 ÷ 63 HRC



Codice	D1	L2	L3	L	D2	D3	D4	D6	D7	L4	L5	L6	T
TCEAS019070090	19	70	90	160	42	32	22	8	4.5	20	8	4	4.6
TCEAS019070100	19	70	100	170	42	32	22	8	4.5	20	8	4	4.6
TCEAS019080100	19	80	100	180	42	32	22	8	4.5	20	8	4	4.6
TCEAS019080110	19	80	110	190	42	32	22	8	4.5	20	8	4	4.6
TCEAS019090110	19	90	110	200	42	32	22	8	4.5	20	8	4	4.6
TCEAS019100110	19	100	110	210	42	32	22	8	4.5	20	8	4	4.6
TCEAS025080100	25	80	100	180	48	38	26	8	4.5	22	8	6	4.6
TCEAS025080110	25	80	110	190	48	38	26	8	4.5	22	8	6	4.6
TCEAS025090110	25	90	110	200	48	38	26	8	4.5	22	8	6	4.6
TCEAS025090120	25	90	120	210	48	38	26	8	4.5	22	8	6	4.6
TCEAS025100120	25	100	120	220	48	38	26	8	4.5	22	8	6	4.6
TCEAS025110120	25	110	120	230	48	38	26	8	4.5	22	8	6	4.6
TCEAS032080100	32	80	100	180	60	48	34	10	5.5	25	10	7	5.5
TCEAS032080110	32	80	110	190	60	48	34	10	5.5	25	10	7	5.5
TCEAS032090110	32	90	110	200	60	48	34	10	5.5	25	10	7	5.5
TCEAS032090120	32	90	120	210	60	48	34	10	5.5	25	10	7	5.5
TCEAS032100120	32	100	120	220	60	48	34	10	5.5	25	10	7	5.5
TCEAS032100130	32	100	130	230	60	48	34	10	5.5	25	10	7	5.5
TCEAS032110130	32	110	130	240	60	48	34	10	5.5	25	10	7	5.5
TCEAS032110140	32	110	140	250	60	48	34	10	5.5	25	10	7	5.5
TCEAS040090110	40	90	110	200	70	56	42	11	6.6	27	12	7	6.8
TCEAS040090120	40	90	120	210	70	56	42	11	6.6	27	12	7	6.8
TCEAS040100120	40	100	120	220	70	56	42	11	6.6	27	12	7	6.8
TCEAS040100130	40	100	130	230	70	56	42	11	6.6	27	12	7	6.8
TCEAS040110130	40	110	130	240	70	56	42	11	6.6	27	12	7	6.8
TCEAS040110140	40	110	140	250	70	56	42	11	6.6	27	12	7	6.8
TCEAS040120140	40	120	140	260	70	56	42	11	6.6	27	12	7	6.8