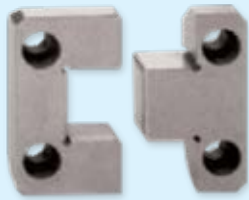
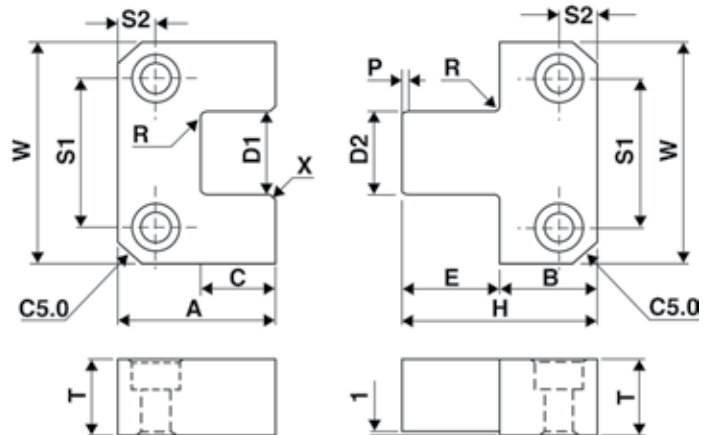


TSSB

CENTRATORI LATERALI



MAT : Acciaio 16Cr Ni 4 58 ÷ 62 HRC



Codice	W 0 -0.01	C +0.5	T -0.03	A -0.2	B -0.2	D1 +0.010 +0.005	D2 0 -0.005	E -0.2	H	P	R	S1	S2	X	SHCS
TSSB1606	16	6	8	17	11	7	7	6	17	1	1	-	5	0.5	M4
TSSB2006	20	6	8	17	11	8	8	6	17	1	1	-	5	0.5	M4
TSSB2508	25	8	8	19	11	10	10	8	19	1	1	-	5	0.5	M4
TSSB3008	30	8	10	22	14	12	12	8	22	1	1	16	6	0.5	M5
TSSB3020	30	20	10	34	14	12	12	20	34	2	2	16	6	1	M5
TSSB4010	40	10	13	28	13 (18)	15	15	10	28	1	1	22	7	0.5	M6
TSSB4025	40	25	13	43	13 (18)	15	15	25	43	2	2	22	7	1	M6
TSSB5012	50	12	18	28	18	25	25	12	30	1	1	32	7	0.5	M6
TSSB6020	60	20	20	50	30	25	25	20	50	2	2	36	12	1	M8
TSSB6035	60	35	20	65	30	25	25	35	65	2	2	36	12	1	M8
TSSB8030	80	30	25	70	40	30	30	30	70	2	2	52	14	1	M10
TSSB8045	80	45	25	85	40	30	30	45	85	2	2	52	14	1	M10